

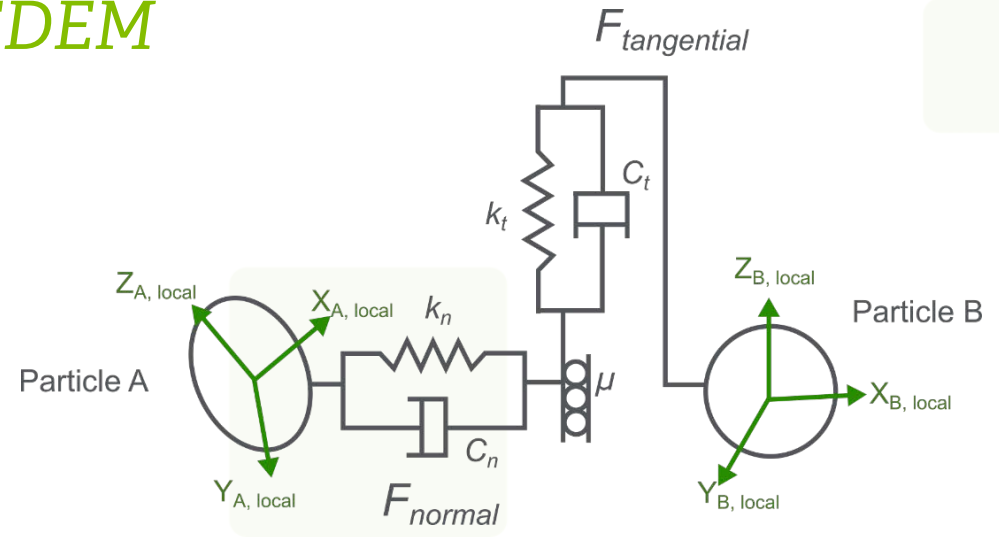
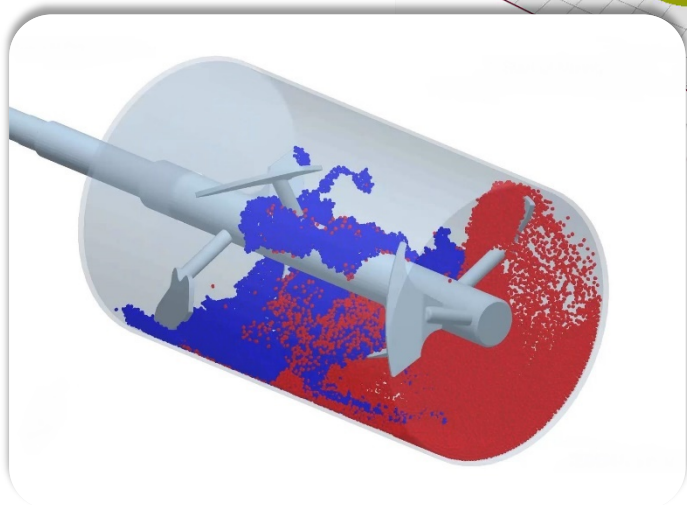
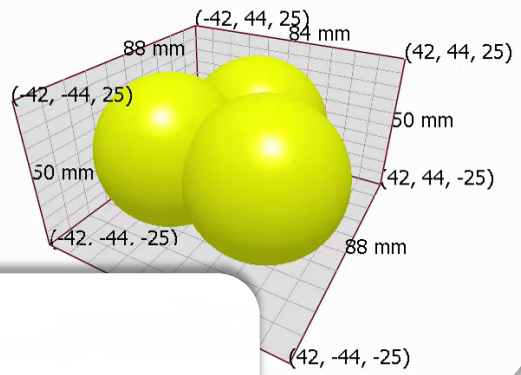
EDEM CLASSROOM

Overview



 **EDEM**TM
Classroom

*Discover EDEM Classroom
Fully functional version of EDEM
tailored for teaching.*

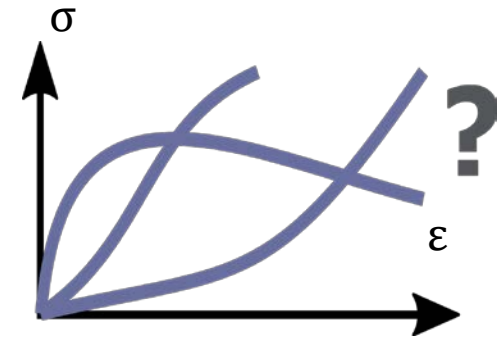
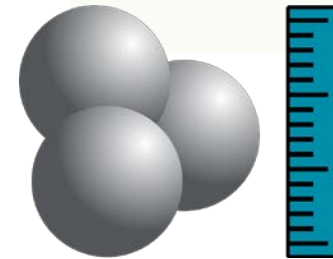


- EXPAND YOUR CURRICULUM:**
- ✓ PARTICLE MECHANICS
 - ✓ PARTICLE TECHNOLOGY
 - ✓ NUMERICAL MODELLING
 - ✓ COMPUTATIONAL METHODS

KEY FEATURES

- Tailored for teaching
- Easy-to-use, modern interface
- Up to 10,000 model elements for shorter simulation run times and sizes
- Highly customizable via EDEM API
- Tutorials and eLearning courses available
- Access to EDEM User Forum

- **Semester-based licenses with flexible start dates**
- **Packages for 5, 10, 15 or more seats**



FEATURES COMPARISON

	EDEM Classroom	EDEM Academic
Purpose	for Teaching	for Research
Particle limit	10,000 spheres	none
Number of CPU per seat	1	4 or more
Solvers and Post Processors	No particle limit	No particle limit
Default CAD Import Option	STL	STL, IGES, STEP
EDEM API	Yes	Yes
EDEM advanced bundle:		
CFD Coupling Interface	No	Yes
MBD coupling interface	No	Yes
Heat Transfer Module	No	Yes
Field Data Import	No	Yes

EDEM Classroom will help you prepare tomorrow's engineers and scientists in the use of industry-standard DEM software in order to boost their career opportunities in both academia and industry.

FOR MORE INFORMATION

Contact EDEM Academic Program Manager

academic@edemsimulation.com ↙



 **EDEM**TM
Classroom